

Super Collet Spannzangenfutter

BILZ

Member of the LEITZ Group

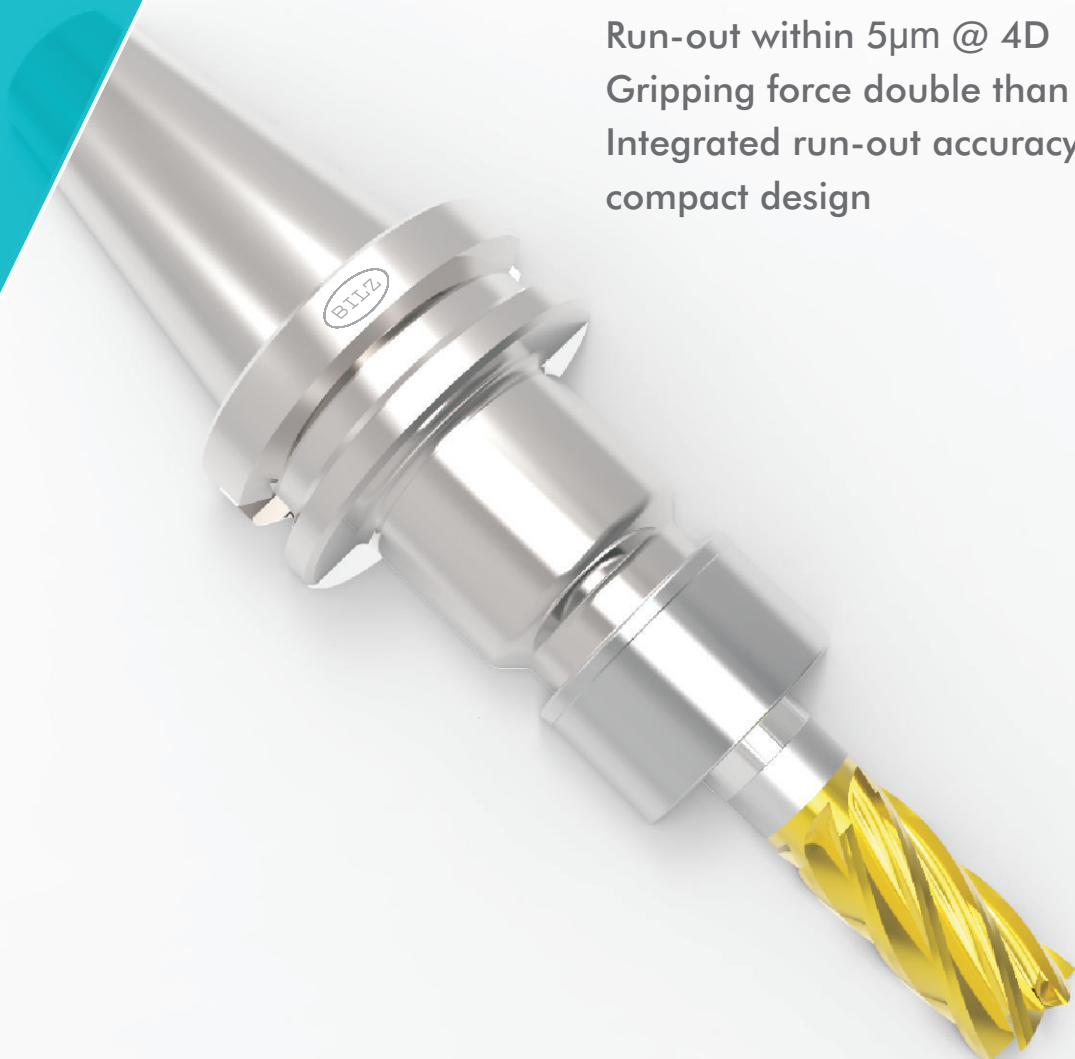
Super Collet Chuck

For High speed spindles with

High

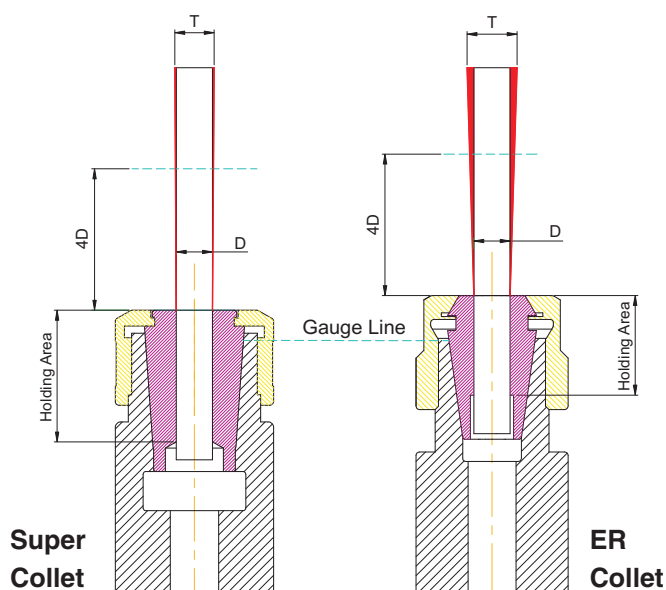
Clamping force,
Concentricity,
Rigidity and
Balance

Run-out within $5\mu\text{m}$ @ 4D
Gripping force double than ER
Integrated run-out accuracy with
compact design



Super collet Spannzangenfutter

Super Collet - Advantages



Super Collet

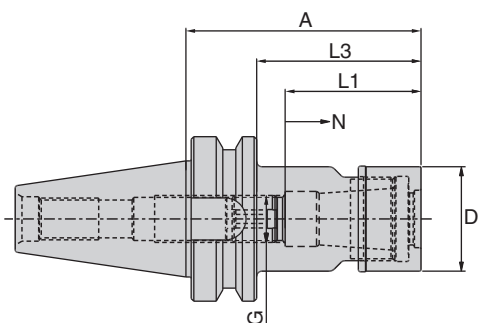
- Slim design allows for better reach
- Force is perpendicular to center line of tool holder for better grip
- More gripping area creates better accuracy

ER Collet

- Wide collets = wide nut design
- Force is angular to center line of tool holder
- Less gripping area results in lesser accuracy

Super collet Spannzangenfutter

Super collet chuck



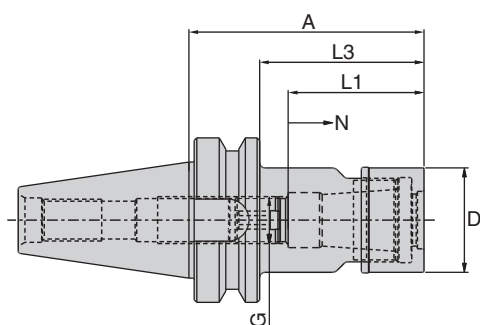
BT 30										2µm	G2.5 25000 RPM	bar
Spannzange Collet Type	Bereich Range	D (mm)	A (mm)	L1 (mm)	L3 (mm)	G (mm)	N (mm)	Kühlmittelzufuhr Coolant supply	N/W (Kg)	Bezeichnung Designation	Ident No.	
SC06	2-6	19.5	60	31.5	38	M8	12	Form "AD"	0,5	WSCH/SCF06-60/BT30	5100405	
SC06	2-6	19.5	90	31.5	68	M8	12	Form "AD"	0,6	WSCH/SCF06-90/BT30	5100407	
SC10	2-10	27.1	60	35.0	38	M12	12	Form "AD"	0,6	WSCH/SCF10-60/BT30	5100408	
SC10	2-10	27.1	90	35.0	68	M12	12	Form "AD"	0,6	WSCH/SCF10-90/BT30	5100416	
SC13	3-13	33.0	60	43.0	38	M15	16	Form "AD"	0,6	WSCH/SCF13-60/BT30	5100420	
SC13	3-13	33.0	90	43.0	68	M15	16	Form "AD"	0,7	WSCH/SCF13-90/BT30	5100421	
SC16	4-16	40.0	60	52.0	38	M18	16	Form "AD"	0,7	WSCH/SCF16-60/BT30	5100423	
SC16	4-16	40.0	90	52.0	68	M18	16	Form "AD"	0,8	WSCH/SCF16-90/BT30	5100425	
SC20	6-20	48.0	60	59.5	38	M22	16	Form "AD"	0,7	WSCH/SCF20-60/BT30	5100426	
SC20	6-20	48.0	90	59.5	68	M22	16	Form "AD"	0,9	WSCH/SCF20-90/BT30	5100427	
SC25	6-25	55.0	90	63.5	68	M28	20	Form "AD"	1,1	WSCH/SCF25-90/BT30	5100429	

Ersatzteile und Zubehör / Spare Parts & Accessories: Pull stud Super Collet Friction Nut Friction Wrench

• Im Lieferumfang enthalten: mit Spannmutter (gewuchtet) und Verstellechraube • Delivery includes: Clamping nut (friction type), Adjusting screw

Super collet Spannzangenfutter

Super collet chuck



BT 40											
Spannzange Collet Type	Bereich Range	D (mm)	A (mm)	L1 (mm)	L3 (mm)	G (mm)	N (mm)	Kühlmittelzufuhr Coolant supply	N/W (Kg)	Bezeichnung Designation	Ident No.
SC06	2-6	19.5	90	31.5	63	M8	12	Form "AD"	1,1	WSCH/SCF06-90/BT40	5100431
SC06	2-6	19.5	120	31.5	93	M8	12	Form "AD"	1,2	WSCH/SCF06-120/BT40	5100434
SC06	2-6	19.5	150	31.5	123	M8	12	Form "AD"	1,3	WSCH/SCF06-150/BT40	5100435
SC10	2-10	27.1	90	35.0	63	M12	12	Form "AD"	1,2	WSCH/SCF10-90/BT40	5100436
SC10	2-10	27.1	120	35.0	93	M12	12	Form "AD"	1,3	WSCH/SCF10-120/BT40	5100437
SC10	2-10	27.1	150	35.0	123	M12	16	Form "AD"	1,4	WSCH/SCF10-150/BT40	5100439
SC13	3-13	33.0	90	43.0	63	M15	16	Form "AD"	1,3	WSCH/SCF13-90/BT40	5100441
SC13	3-13	33.0	120	43.0	93	M15	16	Form "AD"	1,5	WSCH/SCF13-120/BT40	5100442
SC13	3-13	33.0	150	43.0	123	M15	16	Form "AD"	1,6	WSCH/SCF13-150/BT40	5100443
SC16	4-16	40.0	90	52.0	63	M18	16	Form "AD"	1,4	WSCH/SCF16-90/BT40	5100444
SC16	4-16	40.0	120	52.0	93	M18	16	Form "AD"	1,7	WSCH/SCF16-120/BT40	5100446
SC16	4-16	40.0	150	52.0	123	M18	16	Form "AD"	1,9	WSCH/SCF16-150/BT40	5100447
SC20	6-20	48.0	90	59.5	63	M22	16	Form "AD"	1,4	WSCH/SCF20-90/BT40	5100448
SC20	6-20	48.0	120	59.5	93	M22	16	Form "AD"	2,0	WSCH/SCF20-120/BT40	5100449
SC20	6-20	48.0	150	59.5	123	M22	16	Form "AD"	2,3	WSCH/SCF20-150/BT40	5100450
SC25	6-25	55.0	90	63.5	63	M28	25	Form "AD"	1,4	WSCH/SCF25-90/BT40	5100452
SC25	6-25	55.0	120	63.5	93	M28	25	Form "AD"	2,1	WSCH/SCF25-120/BT40	5100453
SC25	6-25	55.0	150	63.5	123	M28	25	Form "AD"	2,6	WSCH/SCF25-150/BT40	5100456

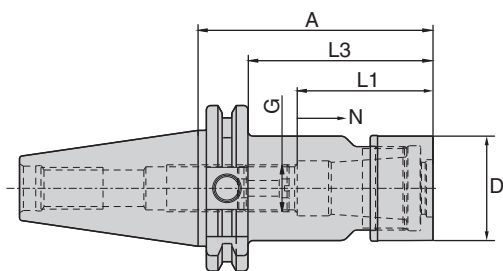
BT 50											
Spannzange Collet Type	Bereich Range	D (mm)	A (mm)	L1 (mm)	L3 (mm)	G (mm)	N (mm)	Kühlmittelzufuhr Coolant supply	N/W (Kg)	Bezeichnung Designation	Ident No.
SC06	2-6	19.5	105	31.5	67	M8	12	Form "AD"	3,8	WSCH/SCF06-105/BT50	5100457
SC06	2-6	19.5	135	31.5	97	M8	12	Form "AD"	3,8	WSCH/SCF06-135/BT50	5100458
SC06	2-6	19.5	165	31.5	127	M8	12	Form "AD"	3,9	WSCH/SCF06-165/BT50	5100459
SC10	2-10	27.1	105	35.0	67	M12	12	Form "AD"	3,9	WSCH/SCF10-105/BT50	5100460
SC10	2-10	27.1	135	35.0	97	M12	12	Form "AD"	3,9	WSCH/SCF10-135/BT50	5100461
SC10	2-10	27.1	165	35.0	127	M12	12	Form "AD"	4,0	WSCH/SCF10-165/BT50	5100462
SC13	3-13	33.0	105	43.0	67	M15	16	Form "AD"	4,0	WSCH/SCF13-105/BT50	5101997
SC13	3-13	33.0	135	43.0	97	M15	16	Form "AD"	4,2	WSCH/SCF13-135/BT50	5101998
SC13	3-13	33.0	165	43.0	127	M15	16	Form "AD"	4,4	WSCH/SCF13-165/BT50	5101999
SC16	4-16	40.0	105	52.0	67	M18	16	Form "AD"	4,1	WSCH/SCF16-105/BT50	5102000
SC16	4-16	40.0	135	52.0	97	M18	16	Form "AD"	4,4	WSCH/SCF16-135/BT50	5102001
SC16	4-16	40.0	165	52.0	127	M18	16	Form "AD"	4,6	WSCH/SCF16-165/BT50	5102002
SC20	6-20	48.0	105	59.5	67	M22	16	Form "AD"	4,2	WSCH/SCF20-105/BT50	5102003
SC20	6-20	48.0	135	59.5	97	M22	16	Form "AD"	4,6	WSCH/SCF20-135/BT50	5102004
SC20	6-20	48.0	165	59.5	127	M22	16	Form "AD"	4,9	WSCH/SCF20-165/BT50	5102005
SC25	6-25	55.0	105	63.5	67	M28	20	Form "AD"	4,3	WSCH/SCF25-105/BT50	5102006
SC25	6-25	55.0	135	63.5	97	M28	20	Form "AD"	4,7	WSCH/SCF25-135/BT50	5102007
SC25	6-25	55.0	165	63.5	127	M28	20	Form "AD"	5,2	WSCH/SCF25-165/BT50	5102008

Ersatzteile und Zubehör / Spare Parts & Accessories: Pull stud Super Collet Friction Nut Friction Wrench

• Im Lieferumfang enthalten: mit Spannmutter (gewuchtet) und Verstellechraube • Delivery includes: Clamping nut (friction type), Adjusting screw

Super collet Spannzangenfutter

Super collet chuck



SK 40													
Spannzange Collet Type	Bereich Range	D (mm)	A (mm)	L1 (mm)	L3 (mm)	G (mm)	N (mm)	Kühlmittelezufuhr Coolant supply	N/W (Kg)	Bezeichnung Designation	Ident No.		
SC06	2-6	19.5	90	31.5	85.9	M8	12	Form "AD"	1,0	WSCH/SCF06-90/SK40	5102046		
SC06	2-6	19.5	120	31.5	115.9	M8	12	Form "AD"	1,0	WSCH/SCF06-120/SK40	5102048		
SC06	2-6	19.5	150	31.5	145.9	M8	12	Form "AD"	1,1	WSCH/SCF06-150/SK40	5102050		
SC10	2-10	27.1	90	35	85.9	M12	12	Form "AD"	1,1	WSCH/SCF10-90/SK40	5102051		
SC10	2-10	27.1	120	35	115.9	M12	12	Form "AD"	1,2	WSCH/SCF10-120/SK40	5102053		
SC10	2-10	27.1	150	35	145.9	M12	12	Form "AD"	1,3	WSCH/SCF10-150/SK40	5102057		
SC13	3-13	33.0	90	43	85.9	M15	16	Form "AD"	1,2	WSCH/SCF13-90/SK40	5102059		
SC13	3-13	33.0	120	43	115.9	M15	16	Form "AD"	1,3	WSCH/SCF13-120/SK40	5102060		
SC13	3-13	33.0	150	43	145.9	M15	16	Form "AD"	1,5	WSCH/SCF13-150/SK40	5102061		
SC16	4-16	40.0	90	52	85.9	M18	16	Form "AD"	1,3	WSCH/SCF16-90/SK40	5102062		
SC16	4-16	40.0	120	52	115.9	M18	16	Form "AD"	1,6	WSCH/SCF16-120/SK40	5102063		
SC16	4-16	40.0	150	52	145.9	M18	16	Form "AD"	1,8	WSCH/SCF16-150/SK40	5102068		
SC20	6-20	48.0	90	59.5	85.9	M22	16	Form "AD"	1,5	WSCH/SCF20-90/SK40	5102070		
SC20	6-20	48.0	120	59.5	115.9	M22	16	Form "AD"	1,9	WSCH/SCF20-120/SK40	5102071		
SC20	6-20	48.0	150	59.5	145.9	M22	16	Form "AD"	2,3	WSCH/SCF20-150/SK40	5102072		
SC25	6-25	55.0	90	63.5	85.9	M28	20	Form "AD"	1,4	WSCH/SCF25-90/SK40	5102073		
SC25	6-25	55.0	120	63.5	115.9	M28	20	Form "AD"	1,7	WSCH/SCF25-120/SK40	5102074		
SC25	6-25	55.0	150	63.5	145.9	M28	20	Form "AD"	2,0	WSCH/SCF25-150/SK40	5102075		

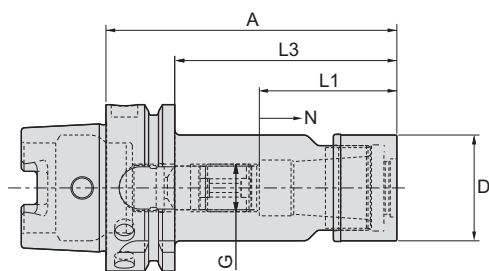
SK 50													
Spannzange Collet Type	Bereich Range	D (mm)	A (mm)	L1 (mm)	L3 (mm)	G (mm)	N (mm)	Kühlmittelezufuhr Coolant supply	N/W (Kg)	Bezeichnung Designation	Ident No.		
SC06	2-6	19.5	105	31.5	85.9	M8	12	Form "AD"	2,9	WSCH/SCF06-105/SK50	5102076		
SC06	2-6	19.5	135	31.5	115.9	M8	12	Form "AD"	2,9	WSCH/SCF06-135/SK50	5102077		
SC06	2-6	19.5	165	31.5	145.9	M8	12	Form "AD"	3,0	WSCH/SCF06-165/SK50	5102078		
SC10	2-10	27.1	105	35	85.9	M12	12	Form "AD"	3,0	WSCH/SCF10-105/SK50	5102079		
SC10	2-10	27.1	135	35	115.9	M12	12	Form "AD"	3,1	WSCH/SCF10-135/SK50	5102080		
SC10	2-10	27.1	165	35	145.9	M12	12	Form "AD"	3,2	WSCH/SCF10-165/SK50	5102081		
SC13	3-13	33	105	43	85.9	M15	16	Form "AD"	3,1	WSCH/SCF13-105/SK50	5102082		
SC13	3-13	33	135	43	115.9	M15	16	Form "AD"	3,2	WSCH/SCF13-135/SK50	5102083		
SC13	3-13	33	165	43	145.9	M15	16	Form "AD"	3,4	WSCH/SCF13-165/SK50	5102084		
SC16	4-16	40	105	52	85.9	M18	16	Form "AD"	3,3	WSCH/SCF16-105/SK50	5102085		
SC16	4-16	40	135	52	115.9	M18	16	Form "AD"	3,5	WSCH/SCF16-135/SK50	5102086		
SC16	4-16	40	165	52	145.9	M18	16	Form "AD"	3,8	WSCH/SCF16-165/SK50	5102087		
SC20	6-20	48	105	59.5	85.9	M22	16	Form "AD"	3,6	WSCH/SCF20-105/SK50	5102088		
SC20	6-20	48	135	59.5	115.9	M22	16	Form "AD"	3,9	WSCH/SCF20-135/SK50	5102089		
SC20	6-20	48	165	59.5	145.9	M22	16	Form "AD"	4,2	WSCH/SCF20-165/SK50	5102091		
SC25	6-25	55	105	63.5	85.9	M28	20	Form "AD"	3,3	WSCH/SCF25-105/SK50	5102092		
SC25	6-25	55	135	63.5	115.9	M28	20	Form "AD"	3,6	WSCH/SCF25-135/SK50	5102093		
SC25	6-25	55	165	63.5	145.9	M28	20	Form "AD"	4,0	WSCH/SCF25-165/SK50	5102095		

Ersatzteile und Zubehör / Spare Parts & Accessories: Pull stud Super Collet Friction Nut Friction Wrench

• Im Lieferumfang enthalten: Spannmutter (gewuchtet) und Einstellschraube • Delivery includes: Clamping nut (friction type), Adjusting screw

Super collet Spannzangenfutter

Super collet chuck



HSK-A50													
Spannzange Collet Type	Bereich Range	D (mm)	A (mm)	L1 (mm)	L3 (mm)	G (mm)	N (mm)	Kühlmittelzufuhr Coolant supply	N/W (Kg)	Bezeichnung Designation	Ident No.		
SC06	2-6	19.5	80	31.5	54	M8	12	Form "AD"	0,7	WSCH/SCF06-80/HSK-A50	5102129		
SC10	2-10	27.1	100	35.0	74	M12	12	Form "AD"	0,8	WSCH/SCF10-100/HSK-A50	5102130		
SC13	3-13	33.0	100	43.0	74	M15	16	Form "AD"	0,8	WSCH/SCF13-100/HSK-A50	5102131		

HSK-A63													
Spannzange Collet Type	Bereich Range	D (mm)	A (mm)	L1 (mm)	L3 (mm)	G (mm)	N (mm)	Kühlmittelzufuhr Coolant supply	N/W (Kg)	Bezeichnung Designation	Ident No.		
SC06	2-6	19.5	100	31.5	74.0	M8	12	Form "AD"	0,9	WSCH/SCF06-100/HSK-A63	5102132		
SC06	2-6	19.5	120	31.5	94.0	M8	12	Form "AD"	1,0	WSCH/SCF06-120/HSK-A63	5102133		
SC06	2-6	19.5	150	31.5	124.0	M8	12	Form "AD"	1,0	WSCH/SCF06-150/HSK-A63	5102134		
SC10	2-10	27.1	105	35	79.0	M12	12	Form "AD"	1,0	WSCH/SCF10-105/HSK-A63	5102135		
SC10	2-10	27.1	120	35	94.0	M12	12	Form "AD"	1,1	WSCH/SCF10-120/HSK-A63	5102136		
SC10	2-10	27.1	150	35	124.0	M12	12	Form "AD"	1,2	WSCH/SCF10-150/HSK-A63	5102137		
SC13	3-13	33.0	120	43	94.0	M15	16	Form "AD"	1,2	WSCH/SCF13-120/HSK-A63	5102138		
SC13	3-13	33.0	150	43	124.0	M15	16	Form "AD"	1,3	WSCH/SCF13-150/HSK-A63	5102141		
SC16	4-16	40.0	120	52	94.0	M18	16	Form "AD"	1,4	WSCH/SCF16-120/HSK-A63	5102142		
SC16	4-16	40.0	150	52	124.0	M18	16	Form "AD"	1,7	WSCH/SCF16-150/HSK-A63	5102143		
SC20	6-20	48.0	120	59.5	94.0	M22	16	Form "AD"	1,7	WSCH/SCF20-120/HSK-A63	5102144		
SC20	6-20	48.0	150	59.5	124.0	M22	16	Form "AD"	2,1	WSCH/SCF20-150/HSK-A63	5102145		
SC25	6-25	55.0	135	63.5	109.0	M28	20	Form "AD"	2,1	WSCH/SCF25-135/HSK-A63	5102146		

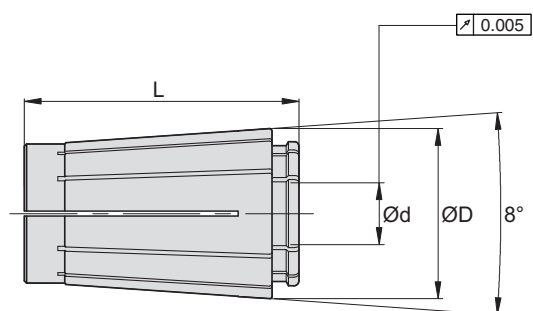
HSK-A100													
Spannzange Collet Type	Bereich Range	D (mm)	A (mm)	L1 (mm)	L3 (mm)	G (mm)	N (mm)	Kühlmittelzufuhr Coolant supply	N/W (Kg)	Bezeichnung Designation	Ident No.		
SC06	2-6	19.5	105	31.5	76.0	M8	12	Form "AD"	2,3	WSCH/SCF06-105/HSK-A100	5102188		
SC10	2-10	27.1	105	35	76.0	M12	12	Form "AD"	2,4	WSCH/SCF10-105/HSK-A100	5102189		
SC10	2-10	27.1	120	35	91.0	M12	12	Form "AD"	2,5	WSCH/SCF10-120/HSK-A100	5102190		
SC10	2-10	27.1	150	35	121.0	M12	12	Form "AD"	2,6	WSCH/SCF10-150/HSK-A100	5102191		
SC13	3-13	33.0	120	43	91.0	M15	16	Form "AD"	2,6	WSCH/SCF13-120/HSK-A100	5102192		
SC13	3-13	33.0	150	43	121.0	M15	16	Form "AD"	2,8	WSCH/SCF13-150/HSK-A100	5102193		
SC16	4-16	40.0	120	52	91.0	M18	16	Form "AD"	2,6	WSCH/SCF16-120/HSK-A100	5102194		
SC16	4-16	40.0	150	52	121.0	M18	16	Form "AD"	3,0	WSCH/SCF16-150/HSK-A100	5102195		
SC20	6-20	48.0	120	59.5	91.0	M22	16	Form "AD"	3,1	WSCH/SCF20-120/HSK-A100	5102196		
SC20	6-20	48.0	150	59.5	121.0	M22	16	Form "AD"	3,5	WSCH/SCF20-150/HSK-A100	5102197		
SC25	6-25	55.0	145	63.5	116.0	M28	20	Form "AD"	3,6	WSCH/SCF25-145/HSK-A100	5102198		

Ersatzteile und Zubehör / Spare Parts & Accessories: Super Collet Friction Nut Friction Wrench Coolant tube

• Im Lieferumfang enthalten: Spannmutter (gewuchtet) und Einstellschraube • Delivery includes: Clamping nut (friction type), Adjusting screw

Super collet Spannzangen - Zubehör für Super collet Spannzangenfutter

Super collet - Spare parts for Super collet chuck



Spannzange Collet Type	Bereich Range	d (mm)	L (mm)	D (mm)	Ident No.
SC06-2.0	1.75-2.00	2.0	25	11	5103501
SC06-2.5	2.25-2.50	2.5	25	11	5103503
SC06-3.0	2.75-3.00	3.0	25	11	5103504
SC06-3.5	3.00-3.50	3.5	25	11	5103505
SC06-4.0	3.50-4.00	4.0	25	11	5103506
SC06-4.5	4.00-4.50	4.5	25	11	5103507
SC06-5.0	4.50-5.00	5.0	25	11	5103511
SC06-5.5	5.00-5.50	5.5	25	11	5103512
SC06-6.0	5.50-6.00	6.0	25	11	5103513
SC10-2.0	1.75-2.00	2.0	30	16	5103572
SC10-2.5	2.25-2.50	2.5	30	16	5103574
SC10-3.0	2.75-3.00	3.0	30	16	5103575
SC10-3.5	3.00-3.50	3.5	30	16	5103576
SC10-4.0	3.50-4.00	4.0	30	16	5103577
SC10-4.5	4.00-4.50	4.5	30	16	5103578
SC10-5.0	4.50-5.00	5.0	30	16	5103579
SC10-5.5	5.00-5.50	5.5	30	16	5103580
SC10-6.0	5.50-6.00	6.0	30	16	5103581
SC10-6.5	6.00-6.50	6.5	30	16	5103582
SC10-7.0	6.50-7.00	7.0	30	16	5103583
SC10-7.5	7.00-7.50	7.5	30	16	5103584
SC10-8.0	7.50-8.00	8.0	30	16	5103585
SC10-8.5	8.00-8.50	8.5	30	16	5103586
SC10-9.0	8.50-9.00	9.0	30	16	5103587
SC10-9.5	9.00-9.50	9.5	30	16	5103588
SC10-10.0	9.50-10.00	10.0	30	16	5103589
SC13-3.0	2.75-3.00	3.0	39	20	5103654
SC13-3.5	3.00-3.50	3.5	39	20	5103655
SC13-4.0	3.50-4.00	4.0	39	20	5103656
SC13-4.5	4.00-4.50	4.5	39	20	5103657
SC13-5.0	4.50-5.00	5.0	39	20	5103658
SC13-5.5	5.00-5.50	5.5	39	20	5103659
SC13-6.0	5.50-6.00	6.0	39	20	5103660
SC13-6.5	6.00-6.50	6.5	39	20	5103661
SC13-7.0	6.50-7.00	7.0	39	20	5103662
SC13-7.5	7.00-7.50	7.5	39	20	5103663
SC13-8.0	7.50-8.00	8.0	39	20	5103664
SC13-8.5	8.00-8.50	8.5	39	20	5103665
SC13-9.0	8.50-9.00	9.0	39	20	5103666
SC13-9.5	9.00-9.50	9.5	39	20	5103668
SC13-10.0	9.50-10.00	10.0	39	20	5103669
SC13-10.5	10.00-10.50	10.5	39	20	5103670
SC13-11.0	10.50-11.00	11.0	39	20	5103671
SC13-11.5	11.00-11.50	11.5	39	20	5103672
SC13-12.0	11.50-12.00	12.0	39	20	5103673
SC13-12.5	12.00-12.50	12.5	39	20	5103674
SC13-13.0	12.50-13.00	13.0	39	20	5103675

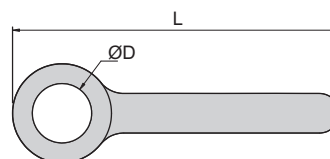
Super collet Spannzangen - Zubehör für Super collet Spannzangenfutter

Super collet - Spare parts for Super collet chuck

Spannzange Collet Type	d (mm)	L (mm)	D (mm)	Ident No.
SC16-3.0	3.0	45	25	5103676
SC16-4.0	4.0	45	25	5103678
SC16-5.0	5.0	45	25	5103680
SC16-6.0	6.0	45	25	5103681
SC16-8.0	8.0	45	25	5103682
SC16-10.0	10.0	45	25	5103683
SC16-12.0	12.0	45	25	5103684
SC16-16.0	16.0	45	25	5103685
SC20-6.0	6.0	50	30	5103952
SC20-8.0	8.0	50	30	5103953
SC20-10.0	10.0	50	30	5103954
SC20-12.0	12.0	50	30	5103970
SC20-14.0	14.0	50	30	5103972
SC20-16.0	16.0	50	30	5103974
SC20-18.0	18.0	50	30	5103976
SC20-20.0	20.0	50	30	5103977
SC25-6.0	6.0	57	36	5104103
SC25-8.0	8.0	57	36	5104104
SC25-10.0	10.0	57	36	5104105
SC25-12.0	12.0	57	36	5104106
SC25-16.0	16.0	57	36	5104107
SC25-20.0	20.0	57	36	5104108
SC25-25.0	25.0	57	36	5104109

Rollspannschlüssel

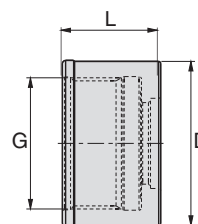
Friction Wrench



Bezeichnung Designation	Spannzange Collet Type	D (mm)	L (mm)	Ident No.
FW-D19.5	SCS06-FN	19.5	130	5102205
FW-D27.1	SCS10-FN	27.1	135	5103190
FW-D33	SCS13-FN	33.0	160	5102206
FW-D40	SCS16-FN	40.0	180	5102207
FW-D48	SCS20-FN	48.0	210	5103191
FW-D55	SCS25-FN	55.0	300	5102209

Spannmutter für Rollspannschlüssel (für Super collet Spannzangenfutter)

Friction Nut (for Super collet chuck)



Spannzange Collet Type	Bereich Range	ØD (mm)	L (mm)	G (mm)	Ident No.
SCN06-FN	2.0-6.0	19.5	15	M15.5x1	5102199
SCN10-FN	2.0-10.0	27.1	17	M21.5x1	5102200
SCN13-FN	3.0-13.0	33.0	21	M27x1	5102201
SCN16-FN	4.0-16.0	40.0	24	M32x1.5	5102202
SCN20-FN	6.0-20.0	48.0	24	M40x1	5102203
SCN25-FN	16.0-25.0	55.0	30	M45x1.5	5102204

BILZ

Member of the LEITZ Group

BILZ WERKZEUGFABRIK

GmbH & Co. KG

Vogelsangstr. 8

73760 Ostfildern

Deutschland / Germany

Telefon +49 711 348 01 - 0

Telefax +49 711 348 12 56

info@bilz.de

www.bilz.de

Super Collet Spannzangenfutter Super Collet Chuck

